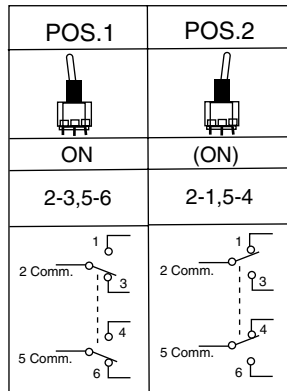
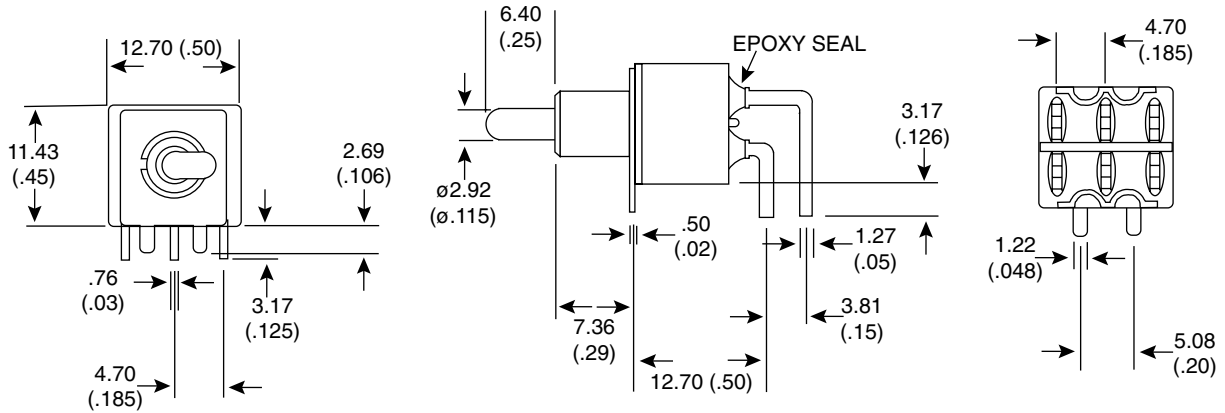
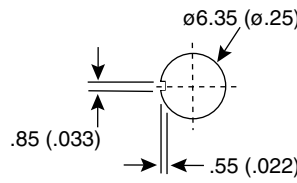


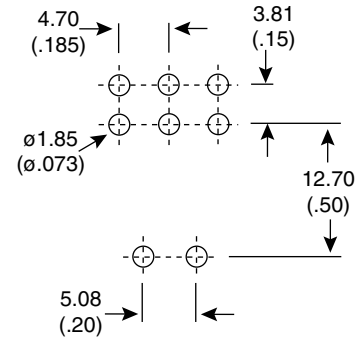
Dimensions: mm (in.)



SWITCH FUNCTION



PANEL MOUNTING



P.C. MOUNTING

Mechanical Specifications:

- Operating Temperature: -30° C to +85° C.

Electrical Specifications:

- Contact Resistance: 10m Ω max. initial @ 2-4VDC 100mA
- Insulation Resistance: 1,000M Ω min.
- Rating: 2 A / 250 VAC
5 A / 120 VAC or 28 VDC
- Dielectric Strength: 1,000 V RMS@ sea level.

Materials:

- Case: Diallyl phthalate (DAP)
- Acuator: Brass, chrome plated.
- Bushing: Brass, nickel plated.
- Housing: Stainless steel.
- Terminal/Contact: Silver plated.
- Switch Support: Brass, Tin plated.

Note:

- RoHS compliant by exemption

Toggle Switch
108-1MD2T2B4M6QE-EVX

